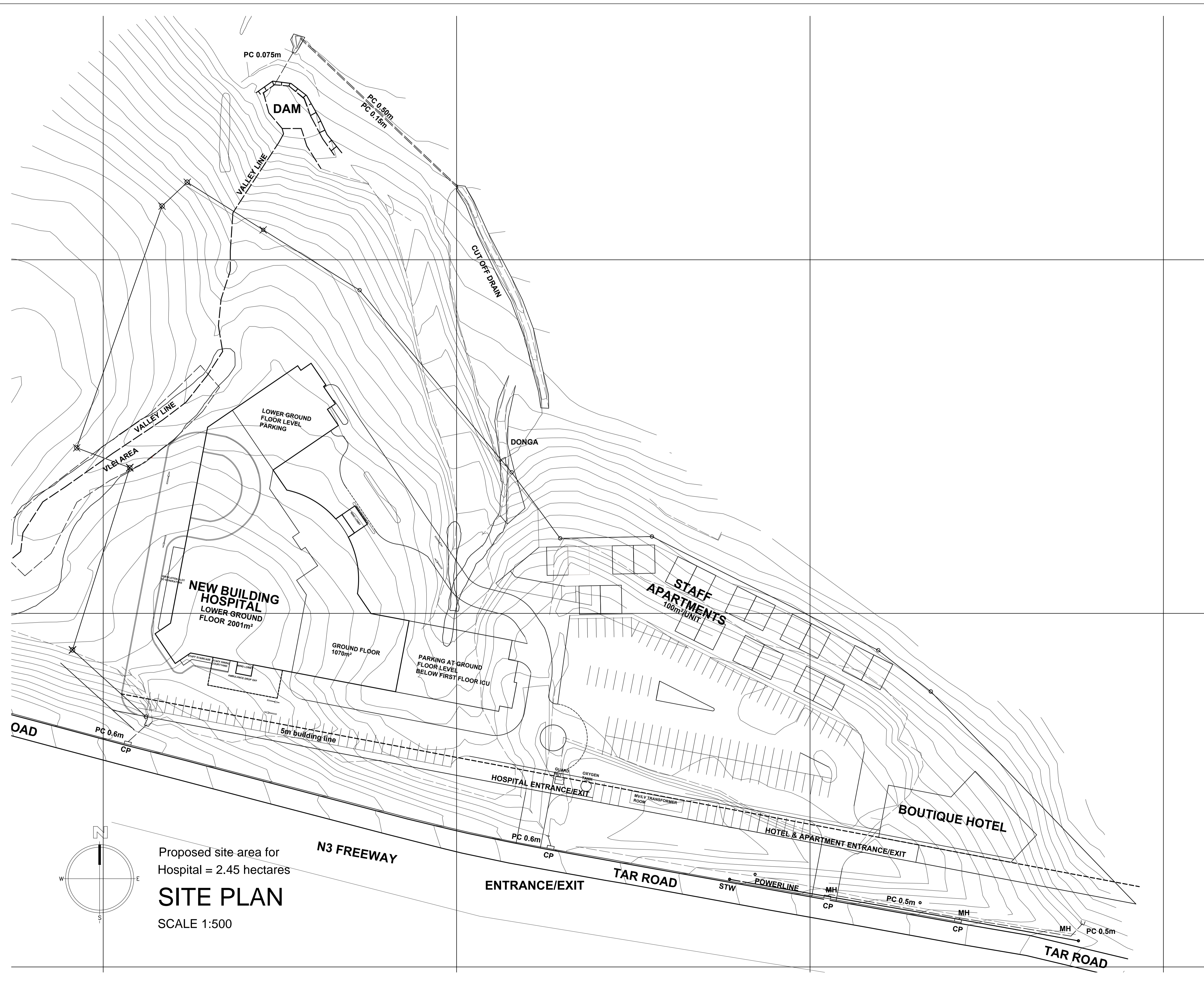
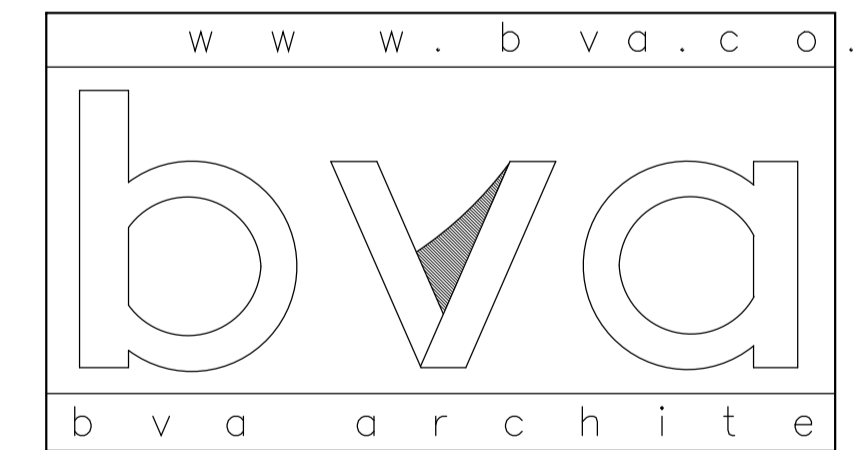


GENERAL NOTE  
 The Contractor is to verify all dimensions & levels on site before commencing work or producing shop drawings. Any discrepancies are to be reported to the Architect immediately.  
 COPYRIGHT NOTE  
 This drawing is subject to copyright and may not be reproduced, in whole or part, or in any manner whatsoever without written permission from the architect.

REVISION	DATE	BY



SIGNATURE \_\_\_\_\_ DATE \_\_\_\_\_



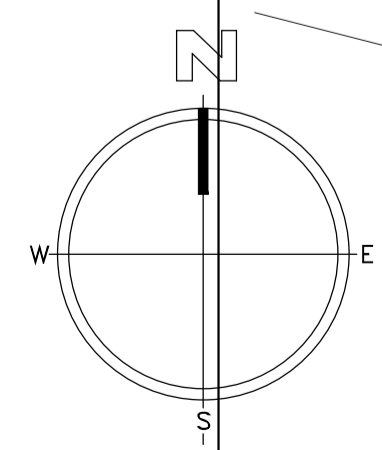
BLOCK B BELLEVUE CAMPUS 5 BELLEVUE ROAD KLOOF  
 P.O. BOX 1787 WESTVILLE 3630  
 TEL: 031 717 2670 FAX: 031 764 6543 EMAIL: info@bva.co.za

Project Title:  
**PROPOSED NEW MOTHER AND CHILD HOSPITAL PIETERMARITZBURG**

date: FEBRUARY 2016 scales: 1:500  
 drawn: SM

Drawing Description:  
**PRELIMINARY SITE PLAN**

Job No: -1354 Drawing No: -DOH100 Rev. No: A



Proposed site area for Hospital = 2.45 hectares  
**SITE PLAN**  
 SCALE 1:500